

Features

- 200-pin, unbuffered small outline, dual in-line memory module (SODIMM)
- JEDEC standard 1.8V ± 0.1V power supply
- VDDQ=1.8V ± 0.1V
- Fast data transfer rate:PC2-4200, or PC2-5300, or PC2-6400
- Programmable CAS Latency(CL): 3, 4, 5 for DDR2-400/533/667/800(G5). 4, 5, 6 for DDR2-800(G6)
- Programmable Additive Latency (AL): 0, 1, 2, 3, 4 and 5
- Write Latency(WL) = Read Latency (RL)-1
- Programmable burst lengths: 4 or 8
- Differential data strobe (DQS, DQS#)
(Single ended data strobe option)
- On-die termination (ODT)
- Adjustable data-output drive strength
- 64ms, 8192-cycle refresh
- Serial Presence Detect (SPD) with EEPROM

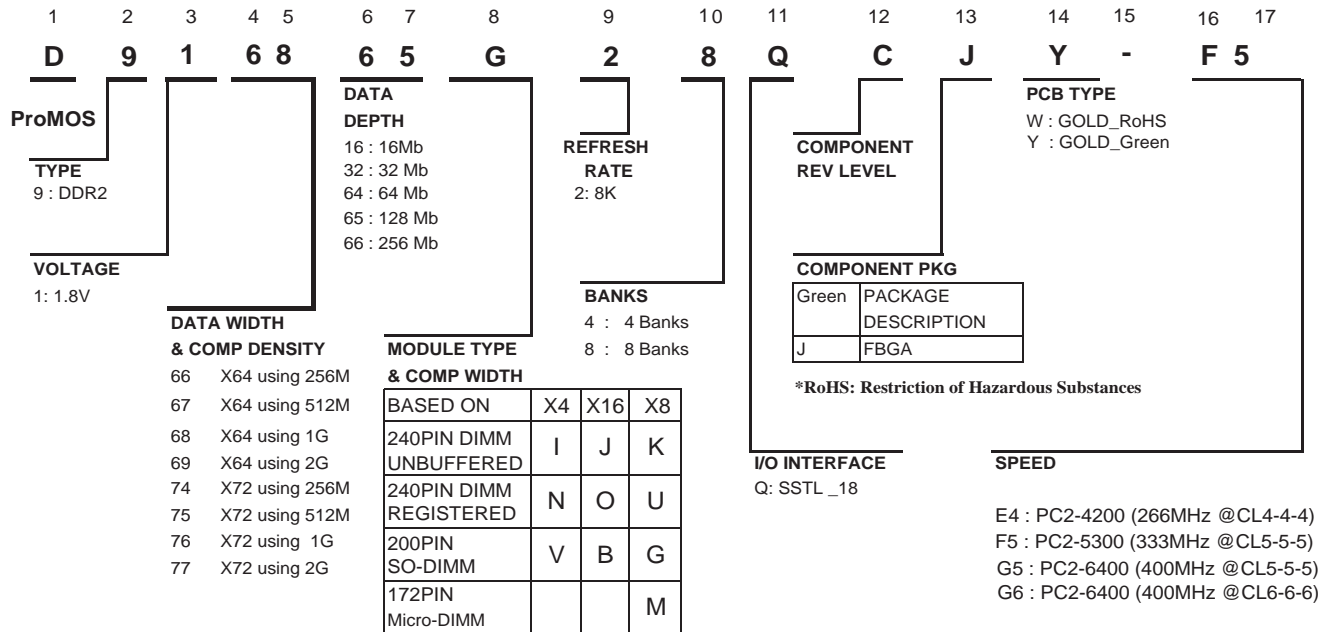
Description

The D916865G28QC memory module is organized as 67,108,864 x 64 bits in a 200 pin memory module. The 128M x 64 memory module uses 8 ProMOS 128M x 8 DDR2 SDRAMs. The x64 modules are ideal for use in high performance computer systems where increased memory density and fast access times are required.

Speed Grade

	DDR2-533 PC2-4200 (E4)	DDR2-667 PC2-5300 (F5)	DDR2-800 PC2-6400 (G5)	DDR2-800 PC2-6400 (G6)	Units
Bandwith@CL=3	400	400	400	-	Mbps
Bandwith@CL=4	533	533	533	533	Mbps
Bandwith@CL=5	533	667	800	667	Mbps
Bandwith@CL=6	-	-	-	800	Mbps
CL-tRCD-tRP	4-4-4	5-5-5	5-5-5	6-6-6	tCK

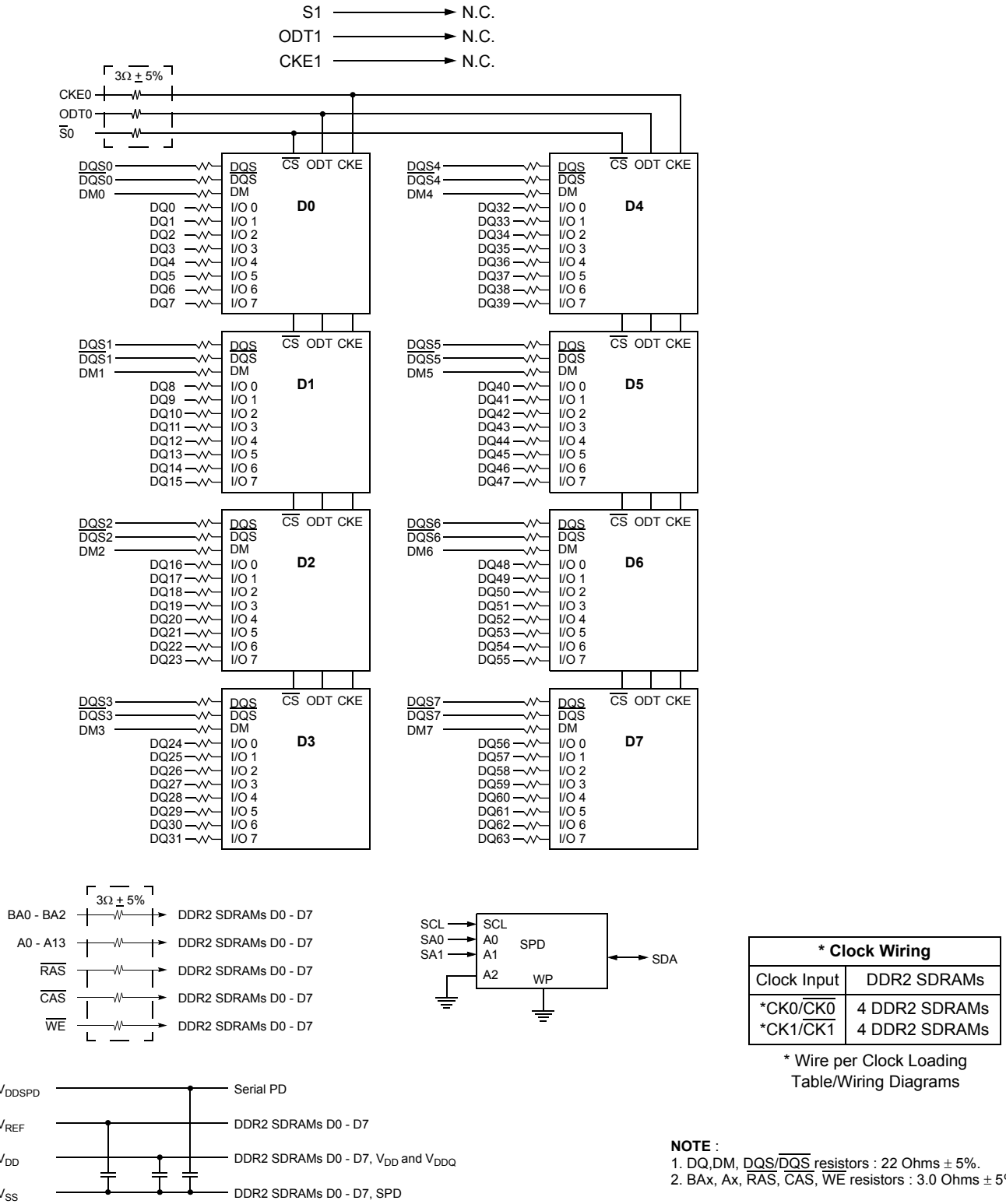
Part Number Information



Block Diagram

Functional Block Diagram

(1GB -2 Ranks 128MX8 DDR2 SDRAM)



DDR2 SDRAM SO-DIMM Pinout

Pin #	Front Side	Pin #	Back Side	Pin #	Front Side	Pin #	Back Side	Pin #	Front Side	Pin #	Back Side	Pin #	Front Side	Pin #	Back Side
1	V _{REF}	2	V _{SS}	51	DQS2	52	DM2	101	A1	102	A0	151	DQ42	152	DQ46
3	V _{SS}	4	DQ4	53	V _{SS}	54	V _{SS}	103	V _{DD}	104	V _{DD}	153	DQ43	154	DQ47
5	DQ0	6	DQ5	55	DQ18	56	DQ22	105	A10/AP	106	BA1	155	V _{SS}	156	V _{SS}
7	DQ1	8	V _{SS}	57	DQ19	58	DQ23	107	BA0	108	RAS	157	DQ48	158	DQ52
9	V _{SS}	10	DM0	59	V _{SS}	60	V _{SS}	109	WE	110	S0	159	DQ49	160	DQ53
11	DQS0	12	V _{SS}	61	DQ24	62	DQ28	111	V _{DD}	112	V _{DD}	161	V _{SS}	162	V _{SS}
13	DQS0	14	DQ6	63	DQ25	64	DQ29	113	CAS	114	ODT0	163	NC,TEST	164	CK1
15	V _{SS}	16	DQ7	65	V _{SS}	66	V _{SS}	115	NC/S1	116	NC/A13	165	V _{SS}	166	CK1
17	DQ2	18	V _{SS}	67	DM3	68	DQS3	117	V _{DD}	118	V _{DD}	167	DQS6	168	V _{SS}
19	DQ3	20	DQ12	69	NC/RE SET	70	DQS3	119	NC/ ODT1	120	NC/S3	169	DQS6	170	DM6
21	V _{SS}	22	DQ13	71	V _{SS}	72	V _{SS}	121	V _{SS}	122	V _{SS}	171	V _{SS}	172	V _{SS}
23	DQ8	24	V _{SS}	73	DQ26	74	DQ30	123	DQ32	124	DQ36	173	DQ50	174	DQ54
25	DQ9	26	DM1	75	DQ27	76	DQ31	125	DQ33	126	DQ37	175	DQ51	176	DQ55
27	V _{SS}	28	V _{SS}	77	V _{SS}	78	V _{SS}	127	V _{SS}	128	V _{SS}	177	V _{SS}	178	V _{SS}
29	DQS1	30	CK0	79	CKE0	80	NC/ CKE1	129	DQS4	130	DM4	179	DQ56	180	DQ60
31	DQS1	32	CK0	81	V _{DD}	82	V _{DD}	131	DQS4	132	V _{SS}	181	DQ57	182	DQ61
33	V _{SS}	34	V _{SS}	83	NC/S2	84	NC/A15	133	V _{SS}	134	DQ38	183	V _{SS}	184	V _{SS}
35	DQ10	36	DQ14	85	NC/BA2	86	NC/A14	135	DQ34	136	DQ39	185	DM7	186	DQS7
37	DQ11	38	DQ15	87	V _{DD}	88	V _{DD}	137	DQ35	138	V _{SS}	187	V _{SS}	188	DQS7
39	V _{SS}	40	V _{SS}	89	A12	90	A11	139	V _{SS}	140	DQ44	189	DQ58	190	V _{SS}
41	V _{SS}	42	V _{SS}	91	A9	92	A7	141	DQ40	142	DQ45	191	DQ59	192	DQ62
43	DQ16	44	DQ20	93	A8	94	A6	143	DQ41	144	V _{SS}	193	V _{SS}	194	DQ63
45	DQ17	46	DQ21	95	V _{DD}	96	V _{DD}	145	V _{SS}	146	DQS5	195	SDA	196	V _{SS}
47	V _{SS}	48	V _{SS}	97	A5	98	A4	147	DM5	148	DQS5	197	SCL	198	SA0
49	DQS2	50	Event	99	A3	100	A2	149	V _{SS}	150	V _{SS}	199	V _{DD} SPD	200	SA1

Note:

1. NC = No Connect; NC,TEST(pin 163) is for bus analysis tool and is not connected on normal memory modules.
2. Pins 69, 83, 120 used by 4 rank DDR2 SO-DIMMs.

Input/Output Functional Description

Symbol	Type	Polarity	Function
CK0/ $\overline{\text{CK0}}$, CK1/ $\overline{\text{CK1}}$	Input	Cross point	The system clock inputs. All address and command lines are sampled on the cross point of the rising edge of CK and falling edge of $\overline{\text{CK}}$. A Delay Locked Loop (DLL) circuit is driven from the clock inputs and output timing for read operations is synchronized to the input clock.
CKE[1:0]	Input	Active High	Activates the DDR2 SDRAM CK signal when high and deactivates the CK signal when low. By deactivating the clocks, CKE low initiates the Power Down mode or the Self Refresh mode.
$\overline{\text{S}}[1:0]$	Input	Active Low	Enables the associated DDR2 SDRAM command decoder when low and disables the command decoder when high. When the command decoder is disabled, new commands are ignored but previous operations continue. Rank 0 is selected by $\overline{\text{S}}0$; Rank 1 is selected by $\overline{\text{S}}1$.
$\overline{\text{RAS}}$, $\overline{\text{CAS}}$, $\overline{\text{WE}}$	Input	Active Low	When sampled at the cross point of the rising edge of CK and falling edge of $\overline{\text{CK}}$ and $\overline{\text{CAS}}$, $\overline{\text{RAS}}$, and $\overline{\text{WE}}$ define the operation to be executed by the SDRAM.
BA[2:0]	Input	—	Selects which DDR2 SDRAM internal bank of four or eight is activated.
ODT[1:0]	Input	Active High	Asserts on-die termination for DQ, DM, DQS, and $\overline{\text{DQS}}$ signals if enabled via the DDR2 SDRAM mode register.
A[9:0], A10/AP, A[15:11]	Input	—	During a Bank Activate command cycle, defines the row address when sampled at the cross point of the rising edge of CK and falling edge of $\overline{\text{CK}}$. During a Read or Write command cycle, defines the column address when sampled at the cross point of the rising edge of CK and falling edge of $\overline{\text{CK}}$. In addition to the column address, AP is used to invoke autoprecharge operation at the end of the burst read or write cycle. If AP is high, autoprecharge is selected and BA0-BAn defines the bank to be precharged. If AP is low, autoprecharge is disabled. During a Precharge command cycle, AP is used in conjunction with BA0-BAn to control which bank(s) to precharge. If AP is high, all banks will be precharged regardless of the state of BA0-BAn inputs. If AP is low, then BA0-BAn are used to define which bank to precharge.
DQ[63:0]	In/Out	—	Data Input/Output pins.
DM[7:0]	Input	Active High	The data write masks, associated with one data byte. In Write mode, DM operates as a byte mask by allowing input data to be written if it is low but blocks the write operation if it is high. In Read mode, DM lines have no effect.
DQS[7:0], $\overline{\text{DQS}}$ [7:0]	In/Out	Cross point	The data strobes, associated with one data byte, sourced with data transfers. In Write mode, the data strobe is sourced by the controller and is centered in the data window. In Read mode, the data strobe is sourced by the DDR2 SDRAMs and is sent at the leading edge of the data window. $\overline{\text{DQS}}$ signals are complements, and timing is relative to the crosspoint of respective DQS and $\overline{\text{DQS}}$. If the module is to be operated in single ended strobe mode, all $\overline{\text{DQS}}$ signals must be tied on the system board to VSS and DDR2 SDRAM mode registers programmed appropriately.
V _{DD} , V _{DD} SPD, V _{SS}	Supply	—	Power supplies for core, I/O, Serial Presence Detect, Thermal sensor, and ground for the module.
V _{REF}	Supply	—	Reference voltage for SSTL18 inputs.
SDA	In/Out	—	This is a bidirectional pin used to transfer data into or out of the SPD EEPROM or Thermal sensor. A resistor must be connected from the SDA bus line to V _{DD} SPD on the system planar to act as a pull up.
SCL	Input	—	This signal is used to clock data into and out of the SPD EEPROM and Thermal sensor.
SA[1:0]	Input	—	Address pins used to select the Serial Presence Detect base address.
TEST	In/Out	—	The TEST pin is reserved for bus analysis tools and is not connected on normal memory modules (SO-DIMMs).
$\overline{\text{Event}}$	Wire-OR Out	Active Low	The optional EVENT pin is reserved for use to flag critical module temperatures and is used in conjunction with a SPD temperature sensing option.

Serial Presence Detect Information

Bin Sort:

E4 (PC2-4200 @ CL4) F5 (PC2-5300 @ CL5) G6 (PC2-6400 @ CL6)

Byte #	Function described	Function Supported			Hex value		
		E4	F5	G6	E4	F5	G6
0	Defines # of Bytes written into serial memory at module manufacturer	128bytes			80h		
1	Total # of Bytes of SPD memory device	256bytes			08h		
2	Fundamental memory type	SDRAM DDR2			08h		
3	# of row address on this assembly	14			0Eh		
4	# of column address on this assembly	10			0Ah		
5	Module attributes-Number of DIMM Ranks, Package and Height	1.18in., Single rank			60h		
6	Data width of this assembly	64 bits			40h		
7Data width of this assembly	-			00h		
8	VDDQ and interface standard of this assembly	SSTL 1.8V			05h		
9	DDR SDRAM cycle time at CL=X	3.75ns	3.0ns	2.5ns	3Dh	30h	25h
10	DDR SDRAM Access time from clock at CL=X	±0.50ns	±0.45ns	±0.40ns	50h	45h	40h
11	DIMM configuration type(Non-parity, Parity, ECC)	Unbuffered			00h		
12	Refresh rate & type	7.8us & Self refresh			82h		
13	Primary DDR SDRAM width	x8			08h		
14	Error checking DDR SDRAM data width	N/A			00h		
15	Reserved	-			00h		
16	DDR SDRAM device attributes : Burst lengths supported	4,8			0Ch		
17	DDR SDRAM device attributes : # of banks on each DDR SDRAM	8 banks			08h		
18	DDR SDRAM device attributes : CAS Latency supported	4	4,5	4,5,6	10h	30h	70h
19	DIMM Mechanical Thickness	<3.8mm			01h		
20	DDR2 DIMM Type	SODIMM			04h		
21	DDR2 SDRAM module attributes	-			00h		
22	DDR2 SDRAM device attributes : General	PASR/ODT 50ohm/Weak driver			07h		
23	DDR SDRAM cycle time at CL=X-1	-	3.75ns	3.0ns	00	3Dh	30h
24	DDR SDRAM Access time from CL=X-1	-	±0.50ns	±0.45ns	00	50h	45h
25	DDR SDRAM cycle time at CL=X-2	-		3.75ns	00		3Dh
26	DDR SDRAM Access time from CL=X-2	-		±0.50ns	00		50h
27	Minimum row precharge time (=t _{RP})	15ns	15ns	15ns	3Ch	3Ch	3Ch
28	Minimum row activate to row active delay (=t _{R RD})	7.5ns	7.5ns	7.5ns	1Eh	1Eh	1Eh
29	Minimum RAS to CAS delay (=t _{R CD})	15ns	15ns	15ns	3Ch	3Ch	3Ch
30	Minimum RAS pulse with t _{RAS}	45ns	45ns	45ns	2Dh	2Dh	2Dh

Byte #	Function described	Function Supported			Hex value		
		E4	F5	G6	E4	F5	G6
31	Module Rank density	512MB			80h		
32	Command and address signal input setup time	0.25ns	0.20ns	0.175ns	25h	20h	17h
33	Command and address signal input hold time	0.37ns	0.27ns	0.25ns	37h	27h	25h
34	Data signal input setup time	0.10ns	0.05ns	0.05ns	10h	05h	05h
35	Data signal input hold time	0.22ns	0.17ns	0.125ns	22h	17h	12h
36	Write Recovery Time ($=t_{WR}$)	15ns			3Ch		
37	Write to Read CMD delay ($=t_{WTR}$)	7.5ns	7.5ns	7.5ns	1Eh	1Eh	1Eh
38	Read to Precharge CMD delay ($=t_{RTP}$)	7.5ns			1Eh		
39	Mem Analysis Probe	00	00	00	00		
40	Extension for bytes 41 and 42				06H		
41	SDRAM device minimum active to active/auto-refresh time ($=t_{RC}$)	60ns	60ns	60ns	3Ch	3Ch	3Ch
42	SDRAM device minimum active to autorefresh to active/auto-refresh time ($=t_{RFC}$)	127.5ns			7Fh		
43	SDRAM device maximum device cycle time ($=t_{CK MAX}$)	8ns			80h		
44	SDRAM device maximum skew between DQS and DQ signals ($=t_{DQSQ}$)	0.30ns	0.24ns	0.20ns	1Eh	18h	14h
45	SDRAM device maximum read datahold skew factor ($=t_{QHS}$)	0.40ns	0.34ns	0.30ns	28h	22h	1Eh
46	PLL Relock Time	-			00h		
47	Tcase max , DT4R4W	00	00	00	00h	00h	00h
48	Thermal Resistance of DRAM Package from Top (Case) to Ambient	00	00	00	00h	00h	00h
49	DRAM case Temperature Rise from Ambient due to Active Pre-charge / Mode Bits (DT0/Mode Bits)	00	00	00	00h	00h	00h
50	DRAM case Temperature Rise from Ambient due to Precharge / Quiet Standby (DT2N/DT2O)	00	00	00	00h	00h	00h
51	DRAM case Temperature Rise from Ambient due to Precharge Power-Down (DT2P)	00	00	00	00h	00h	00h
52	DRAM case Temperature Rise from Ambient due to Active Standby (DT3N)	00	00	00	00h	00h	00h
53	DRAM case Temperature Rise from Ambient due to Active Power-Down with Fast PDN Exit (DT3Pfast)	00	00	00	00h	00h	00h
54	DRAM case Temperature Rise from Ambient due to Active Power-Down with Slow PDN Exit (DT3Pslow)	00	00	00	00h	00h	00h
55	DRAM case Temperature Rise from Ambient due to Page Open Burst Read / DT4R4W Mode bit (DT4R/DT4R4W)	00	00	00	00h	00h	00h
56	DRAM case Temperature Rise from Ambient due to Burst Refresh (DT5B)	00	00	00	00h	00h	00h

Byte #	Function described	Function Supported			Hex value		
		E4	F5	G6	E4	F5	G6
57	DRAM case Temperature Rise from Ambient due to Bank Interleave Reads with Auto-Precharge (DT7)	00	00	00	00h	00h	00h
58 - 61	Superset information (may be used in future)	-			00h		
62	SPD data revision code	1.2			12h		
63	Checksum for Bytes 0 ~ 62	-			88h	D5h	73h
64	Manufacturer JEDEC ID code	DELSON			40h		
65 - 71 Manufacturer JEDEC ID code				00h		
72	Manufacturing location	02=Taiwan 05=China 0A=S-CH 04=Malaysia					
73 - 90	Module part number (ASCII)	D916865B28QC					
91	Manufacturer revision code (For PCB)	0			00		
92	Manufacturer revision code (For component)	0			00		
93	Manufacturing date (Year) in BCD. Example: Year 2006 = 06h	-			-		
94	Manufacturing date (Week) in BCD. Example: Week 28 = 28h	-			-		
95~98	Assembly serial #	-			-		
99~127	Manufacturer specific data (may be used in future)	Undefined			00h		
128~255	Open for customer use	Undefined			00h		

Absolute Maximum DC Ratings

Parameter	Symbol	MIN	MAX	UNITS
VDD Supply Voltage relative to VSS	VDD	-1.0	2.3	V
VDDQ Supply Voltage relative to VSS	VDDQ	-0.5	2.3	V
VDDL Supply Voltage relative to VSS	VDDL	-0.5	2.3	V
Voltage on any pin relative to VSS	VIN, VOUT	-0.5	2.3	V
Storage Temperature	T _{STG}	-55	100	°C

Note: Stresses greater than those listed under Absolute Maximum Ratings may cause permanent damage to the device.

AC & DC Operating Conditions
Recommended DC Operating Conditions

Parameter	Symbol	MIN	NOM	MAX	UNITS	Notes
VDD Supply Voltage relative to VSS	VDD	1.7	1.8	1.9	V	1
VDDQ Supply Voltage relative to VSS	VDDQ	1.7	1.8	1.9	V	4
VDDL Supply Voltage relative to VSS	VDDL	1.7	1.8	1.9	V	4
I/O Reference Voltage	VREF	0.49xVDDQ	0.50xVDDQ	0.51xVDDQ	V	2
I/O Termination Voltage(system)	VTT	VREF-0.04	VREF	VREF+0.04	V	3

Note:

1. VDD and VDDQ must track each other. VDDQ must be less than or equal to VDD.
2. VREF is expected to equal to VDDQ/2 of the transmitting device and to track variations in the DC level of the same. Peak to Peak AC noise on the VREF may not exceed +/-2% VREF(DC).
3. VTT of the transmitting device must track VREF of receiving device.
4. VDDQ tracks with VDD; VDDL tracks with VDD.

Input Electrical Characteristics and operating Conditions

Input DC Logic Levels

Parameter	Symbol	MIN	MAX	UNITS
Input High (Logic 1) Voltage	VIH(DC)	VREF+0.125	VDDQ+0.3	V
Input Low (Logic 0) Voltage	VIL(DC)	-0.3	VREF-0.125	V

Input AC Logic Levels

Parameter	Symbol	DDR2 533		DDR2 667, 800		UNITS
		MIN	MAX	MIN	MAX	
ac input logic high	VIH(AC)	VREF+0.250	-	VREF+0.20	-	V
ac input logic low	VIL(AC)	-	VREF-0.250	-	VREF-0.20	V

DDR2 IDD Current Definitions

Symbol	Proposed Conditions	Units	Notes
IDD0	Operating one bank active-precharge current; $t_{CK} = t_{CK}(IDD)$, $t_{RC} = t_{RC}(IDD)$, $t_{RAS} = t_{RASmin}(IDD)$; CKE is HIGH, CS\ is HIGH between valid commands; Address bus inputs are SWITCHING; Data bus inputs are SWITCHING	mA	
IDD1	Operating one bank active-read-precharge current; $I_{OUT} = 0mA$; BL = 4, CL = CL(IDD), AL = 0; $t_{CK} = t_{CK}(IDD)$, $t_{RC} = t_{RC}(IDD)$, $t_{RAS} = t_{RASmin}(IDD)$, $t_{RCD} = t_{RCD}(IDD)$; CKE is HIGH, CS\ is HIGH between valid commands; Address bus inputs are SWITCHING; Data pattern is same as IDD4W	mA	
IDD2P	Precharge power-down current; All banks idle; $t_{CK} = t_{CK}(IDD)$; CKE is LOW; Other control and address bus inputs are STABLE; Data bus inputs are FLOATING	mA	
IDD2Q	Precharge quiet standby current; All banks idle; $t_{CK} = t_{CK}(IDD)$; CKE is HIGH, CS\ is HIGH; Other control and address bus inputs are STABLE; Data bus inputs are FLOATING	mA	
IDD2N	Precharge standby current; All banks idle; $t_{CK} = t_{CK}(IDD)$; CKE is HIGH, CS\ is HIGH; Other control and address bus inputs are SWITCHING; Data bus inputs are SWITCHING	mA	
IDD3P	Active power-down current; All banks open; $t_{CK} = t_{CK}(IDD)$; CKE is LOW; Other control and address bus inputs are STABLE; Data bus inputs are FLOATING	Fast PDN Exit MRS(12) = 0mA	mA
		Slow PDN Exit MRS(12) = 1mA	mA
IDD3N	Active standby current; All banks open; $t_{CK} = t_{CK}(IDD)$, $t_{RAS} = t_{RASmax}(IDD)$, $t_{RP} = t_{RP}(IDD)$; CKE is HIGH, CS\ is HIGH between valid commands; Other control and address bus inputs are SWITCHING; Data bus inputs are SWITCHING	mA	
IDD4W	Operating burst write current; All banks open, Continuous burst writes; BL = 4, CL = CL(IDD), AL = 0; $t_{CK} = t_{CK}(IDD)$, $t_{RAS} = t_{RASmax}(IDD)$, $t_{RP} = t_{RP}(IDD)$; CKE is HIGH, CS\ is HIGH between valid commands; Address bus inputs are SWITCHING; Data bus inputs are SWITCHING	mA	
IDD4R	Operating burst read current; All banks open, Continuous burst reads, $I_{OUT} = 0mA$; BL = 4, CL = CL(IDD), AL = 0; $t_{CK} = t_{CK}(IDD)$, $t_{RAS} = t_{RASmax}(IDD)$, $t_{RP} = t_{RP}(IDD)$; CKE is HIGH, CS\ is HIGH between valid commands; Address bus inputs are SWITCHING; Data pattern is same as IDD4W	mA	
IDD5B	Burst auto refresh current; $t_{CK} = t_{CK}(IDD)$; Refresh command at every $t_{RFC}(IDD)$ interval; CKE is HIGH, CS\ is HIGH between valid commands; Other control and address bus inputs are SWITCHING; Data bus inputs are SWITCHING	mA	
IDD6	Self refresh current; CK and CK\ at 0V; CKE 0.2V; Other control and address bus inputs are FLOATING; Data bus inputs are FLOATING	Normal	mA
		Low Power	mA
IDD7	Operating bank interleave read current; All bank interleaving reads, $I_{OUT} = 0mA$; BL = 4, CL = CL(IDD), AL = $t_{RCD}(IDD) - 1 * t_{CK}(IDD)$; $t_{CK} = t_{CK}(IDD)$, $t_{RC} = t_{RC}(IDD)$, $t_{RRD} = t_{RRD}(IDD)$, $t_{RCD} = 1 * t_{CK}(IDD)$; CKE is HIGH, CS\ is HIGH between valid commands; Address bus inputs are STABLE during DESELECTs; Data pattern is same as IDD4R; Refer to the following page for detailed timing conditions	mA	

DDR2 IDD Current Table

Symbol		E4 PC2-4200@CL4	F5 PC2-5300@CL5	G5 PC2-6400@CL5	G6 PC2-6400@CL6	Unit
IDD0		560	600	640	720	mA
IDD1		600	640	680	760	mA
IDD2P		64	64	64	64	mA
IDD2Q		240	240	320	320	mA
IDD2N		240	320	320	400	mA
IDD3P	Fast PDN Exit MR[12]=0	240	240	240	280	mA
	Slow PDN Exit MR[12]=1	96	96	96	96	mA
IDD3N		320	400	400	480	mA
IDD4R		600	800	880	1040	mA
IDD4W		680	880	1000	1200	mA
IDD5B		760	800	840	900	mA
IDD6	Normal	64	64	64	64	mA
	Low Power	32	32	32	32	mA
IDD7		1440	1480	1480	1600	mA

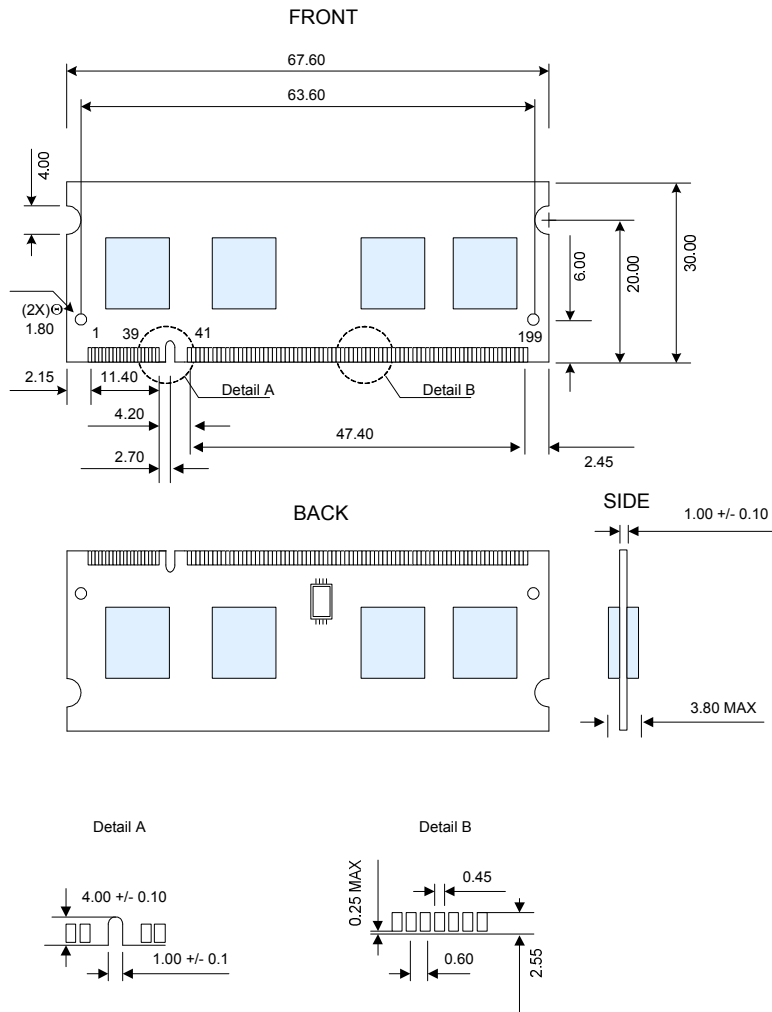
AC Characteristics (AC operating conditions unless otherwise noted)

Parameter	Symbol	(DDR2-533) -37		(DDR2-667) -3		(DDR2-800) -25		Unit	
		Min	Max	Min	Max	Min	Max		
Row Cycle Time	t_{RC}	60	-	60	-	57.5	-	ns	
Auto Refresh Row Cycle Time	t_{RFC}	127.5	-	127.5	-	127.5	-	ns	
Row Active Time	t_{RAS}	45	70K	45	70K	45	70K	ns	
Row Address to Column Address Delay	t_{RCD}	15	-	15	-	12.5	-	ns	
Row Active to Row Active Delay (x4 & x8)	t_{RRD}	7.5	-	7.5	-	7.5	-	ns	
Row Active to Row Active Delay (x16)	t_{RRD}	10	-	10	-	10	-	ns	
Column Address to Column Address Delay	t_{CCD}	2	-	2	-	2	-	CLK	
Row Precharge Time	t_{RP}	15	-	15	-	12.5	-	ns	
Write Recovery Time	t_{WR}	15	-	15	-	15	-	ns	
Last Data-In to Read Command	t_{DRL}	1	-	1	-	1	-	CLK	
Auto Precharge Write Recovery + Precharge Time	t_{DAL}	$t_{WR} + t_{RP}$	-	$t_{WR} + t_{RP}$	-	$t_{WR} + t_{RP}$	-	ns	
System Clock Cycle Time	\overline{CAS} Latency = 3	t_{CK}	5	8	5	8	5	8	ns
	\overline{CAS} Latency = 4		3.75	8	3.75	8	3.75	8	ns
	\overline{CAS} Latency = 5		3.75	8	3	8	3	8	ns
	\overline{CAS} Latency = 6		3.75	8	3	8	2.5	8	ns
Clock High Level Width	t_{CH}	0.45	0.55	0.48	0.52	0.48	0.52	CLK	
Clock Low Level Width	t_{CL}	0.45	0.55	0.48	0.52	0.48	0.52	CLK	
Data-Out edge to Clock edge Skew	t_{AC}	-0.50	0.50	-0.45	0.45	-0.40	0.40	ns	
DQS-Out edge to Clock edge Skew	t_{DQSCK}	-0.45	0.45	-0.40	0.40	-0.35	0.35	ns	
DQS-Out edge to Data-Out edge Skew	t_{DQSQ}	-	0.30	-	0.24	-	0.20	ns	
Data-Out hold time from DQS	t_{QH}	t_{HPmin} $-t_{QHS}$	-	t_{HPmin} $-t_{QHS}$	-	t_{HPmin} $-t_{QHS}$	-	ns	
Data hold skew factor	t_{QHS}	-	400	-	340	-	300	ps	
Clock Half Period	t_{HP}	$t_{CH/L}$ min	-	$t_{CH/L}$ min	-	$t_{CH/L}$ min	-	ns	
Input Setup Time (fast slew rate)	t_{IS}	250	-	200	-	175	-	ps	
Input Hold Time (fast slew rate)	t_{IH}	375	-	275	-	250	-	ps	
Input Pulse Width	t_{IPW}	0.35	-	0.60	-	0.60	-	CLK	
Write DQS High Level Width	t_{DQSH}	0.35		0.35		0.35		CLK	
Write DQS Low Level Width	t_{DQSL}	0.35		0.35		0.35		CLK	
CLK to First Rising edge of DQS-In	t_{DQSS}	WL- $0.25t_{CK}$	WL+ $0.25t_{CK}$	WL- $0.25t_{CK}$	WL+ $0.25t_{CK}$	WL- $0.25t_{CK}$	WL+ $0.25t_{CK}$	CLK	
Data-In Setup Time to DQS-In (DQ & DM)	t_{DS}	100	-	100	-	50	-	ps	
Data-in Hold Time to DQS-In (DQ & DM)	t_{DH}	175	-	175	-	125	-	ps	

Parameter	Symbol	(DDR2-533) -37		(DDR2-667) -3		(DDR2-800) -25		Unit
		Min	Max	Min	Max	Min	Max	
DQS falling edge to CLK rising Setup Time	t_{DSS}	0.2	-	0.2	-	0.2	-	CLK
DQS falling edge from CLK rising Hold Time	t_{DSH}	0.2	-	0.2	-	0.2	-	CLK
DQ & DM Input Pulse Width	t_{DIPW}	0.35	-	0.35	-	0.35	-	CLK
Read DQS Preamble Time	t_{RPRE}	0.9	1.1	0.9	1.1	0.9	1.1	CLK
Read DQS Postamble Time	t_{RPST}	0.4	0.6	0.4	0.6	0.4	0.6	CLK
Write DQS Preamble Setup Time	t_{WPRES}	0	-	0	-	0	-	CLK
Write DQS Preamble Hold Time	t_{WPREH}	0.25	-	0.25	-	0.25	-	CLK
Write DQS Postamble Time	t_{WPST}	0.4	0.6	0.4	0.6	0.4	0.6	CLK
Internal read to precharge command delay	t_{RTP}	7.5	-	7.5	-	7.5	-	ns
Internal write to read command delay	t_{WTR}	7.5	-	7.5	-	7.5	-	ns
Data out high impedance time from CLK/\overline{CLK}	t_{HZ}	$t_{AC(min)}$	$t_{AC(max)}$	$t_{AC(min)}$	$t_{AC(max)}$	$t_{AC(min)}$	$t_{AC(max)}$	ns
Data out low impedance time from CLK/\overline{CLK}	t_{LZ}	$t_{AC(min)}$	$t_{AC(max)}$	$t_{AC(min)}$	$t_{AC(max)}$	$t_{AC(min)}$	$t_{AC(max)}$	ns
Mode Register Set Delay	t_{MRD}	2	-	2	-	2	-	CLK
Exit Self Refresh to Non-Read Command	t_{XSNR}	$t_{RFC}+10$	-	$t_{RFC}+10$	-	$t_{RFC}+10$	-	ns
Exit Self Refresh to Read Command	t_{XSRD}	200	-	200	-	200	-	CLK
Exit Precharge Power Down to any non-Read Command	t_{XP}	2	-	2	-	2	-	CLK
Exit Active Power Down to Read Command	t_{XARD}	2	-	2	-	2	-	CLK
Exit Active Power Down to Read Command (Slow exit, Lower Power)	t_{XARDS}	6-AL	-	7-AL	-	8-AL	-	CLK
ODT drive mode output delay	t_{OIT}	0	12	0	12	0	12	ns
Minimum time clocks remains ON after CKE asynchronously drops LOW	t_{Delay}	$t_{IS}+t_{CK}+t_{IH}$		$t_{IS}+t_{CK}+t_{IH}$		$t_{IS}+t_{CK}+t_{IH}$		ns
CKE minimum high and low pulse width	t_{CKE}	3	-	3	-	3	-	CLK

Package Dimensions

(1GB -2 Ranks 128MX8 DDR2 SDRAM)



Note: All dimensions are typical with tolerances of +/- 0.15 unless otherwise stated.
Units: Millimeters (Inches)

Note: Device position and scale are only for reference.

Copyright, DELSON TECHNOLOGY.

Printed in Tawan

The information in this document is subject to change without notice.

DELSON TECH makes no commitment to update or keep current the information contained in this document. No part of this document may be copied or reproduced in any form or by any means without the prior written consent of DELSON TECH.

DELSON TECH subjects its products to normal quality control sampling techniques which are intended to provide an assurance of high quality products suitable for usual commercial applications. DELSON TECH does not do testing appropriate to provide 100% product quality assurance and does not assume any liability for consequential or incidental arising from any use of its products. If such products are to be used in applications in which personal injury might occur from failure, purchaser must do its own quality assurance testing appropriate to such applications.